

Series 22

MINIATURE 10 AMP DOUBLE-POLE / SIMULTANEOUS SNAP ACTION SWITCHES

This rugged double-pole double-break Butterfly® mechanism switch can be configured for Form XX, Form YY or Form ZZ switching. This unique design is ideal for your toughest applications where reliability is a must.



ACTUAL SIZE

APPLICATIONS

- Pressure control sensors
- Pendant controls
- Door openers for transit equipment
- Valve actuator
- Lift trucks
- Interlock kiosk

KEY FEATURES:

- Gold or silver contacts
- UL recognized and CSA certified
- Variety of terminal styles
- Roller lever and overtravel plunger actuator are available

ORDERING INFORMATION:

Switches

| Part Number | Terminals |
|---------------|-----------------------|
| 22-104 | End Solder |
| 22-204 | #4 Screw |
| 22-304 | Side Solder |
| 22-504 | Quick Disconnect .250 |

Actuator (see page 71 for additional specifications)

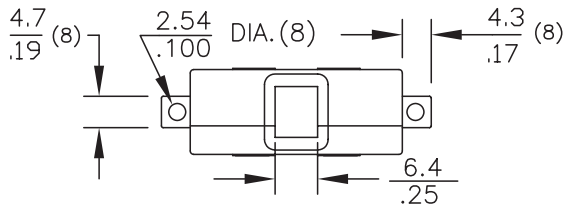
| Part Number | Oper. Force | Release Force | Pretravel | Overtravel | Movement Diff. | Operating Point |
|------------------------------------|-------------|---------------|-----------|------------|----------------|-----------------|
| 72-1160 Roller Lever (1) | 10 oz max | 1.5 oz min | .150 max | .035 min | .070 ± .015 | 1.0 ± .031 |
| 72-2080 Over Travel (2) | 17 ± 5 oz | 4 oz min | .060 max | .215 min | .030 ± .007 | .828±.031 |

(1) When used with 22-104 basic switch or 22-204 basic switch
 (2) When used with 22-304 basic switch

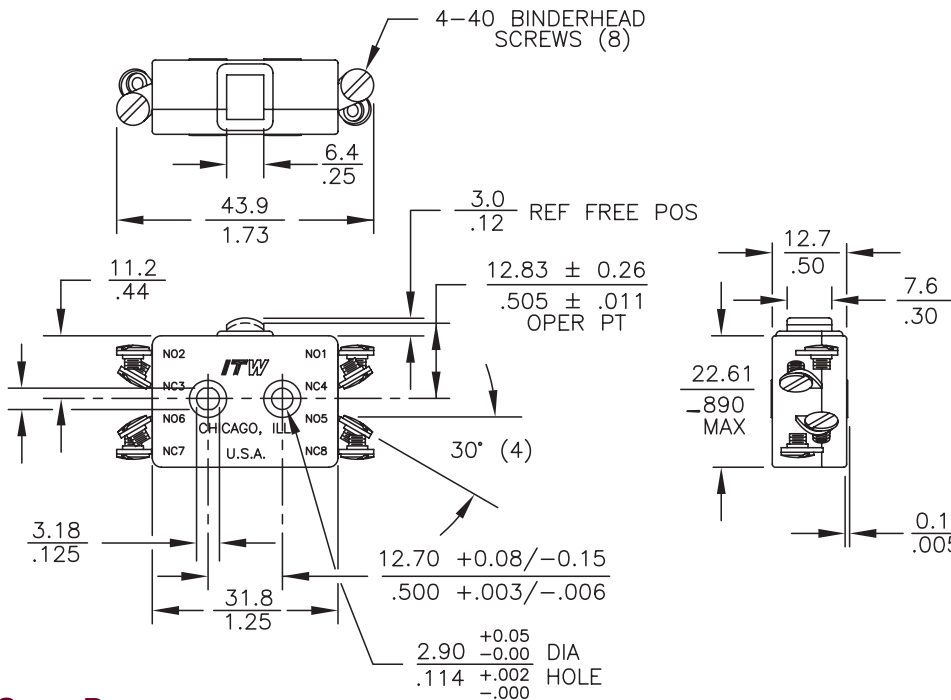
STANDARDS / AGENCY / RATINGS:



END SOLDER



#4 SCREW



MECHANICAL / ELECTRICAL CHARACTERISTICS:

Pretravel:
0.060 inches max

Overtravel:
0.015 inches min

Operating Force:
17 ± 5 oz

Release Force:
4 oz min

Movement Differential:
0.030 inches ± .009

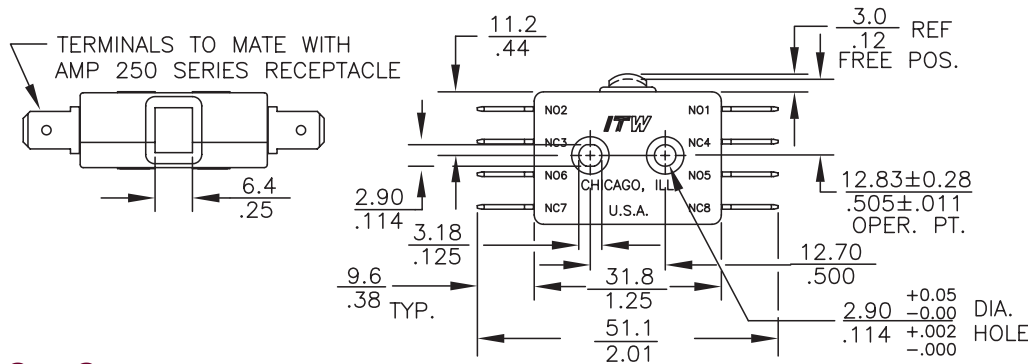
Operating Point:
0.505 inches ± .011
(from mounting hole centers)

Circuit:
DPDT-DB (Form ZZ)

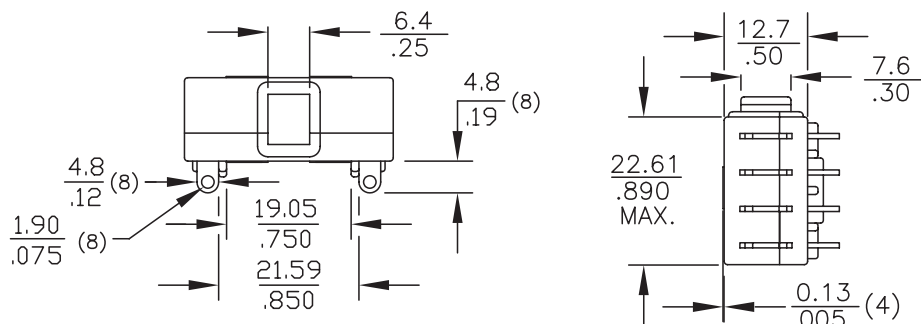
Electrical Ratings:

| Circuitry | 125/250 VAC | 28 VDC |
|----------------------------------|---|--------------------------|
| DPST-DB NO or NC (Form XX or YY) | 10 amp (75-80% PF) 1/2 HP 125 VAC | 10 amp Ind 15 amp Res |
| DPDT-DB (Form ZZ) | 3/4 HP 250 VAC | 7 amp Ind 10 amp Res |

QUICK DISCONNECT



SIDE SOLDER



Series 22 Actuators

SEE PAGE 58
FOR SWITCHES



KEY FEATURES:

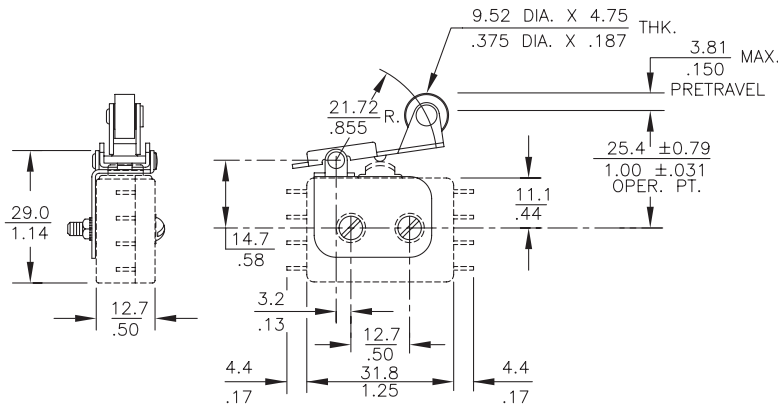
- Roller Lever
- Overtravel

MECHANICAL CHARACTERISTICS:

| Part Number | Oper. Force | Release Force | Pretravel | Overtravel | Movement Diff. | Operating Point |
|------------------------------------|-------------|---------------|-----------|------------|----------------|-----------------|
| 72-1160 Roller Lever (1) | 10 oz max | 1.5 oz min | .150 max | .035 min | .070 ± .015 | 1.0 ± .031 |
| 72-2080 over travel (2) | 17 ± 5 oz | 4 oz min | .060 max | .215 min | .030 ± .007 | .828 ± .031 |

(1) When used with 22-104 basic switch or 22-204 basic switch. (2) When used with 22-304 basic switch

72-1160



72-2080

